

Udsprinklingsanlæg

Reservedelslister for
Agrometer udsprinklingsanlæg og tilkøb
Årgang 2026 -



KCT040HA og KCW080LL Caprira pumper



Dato: 01-2026	Udsprinklingsanlæg Årgang 2026 -	 1 ↓  2 ↓	A-Z
2			

Indholdsfortegnelse:

KCT040 med svanehals	4
KCT040 med guiderør	6
KCW080 med guiderør	8
KCT040 Pumpe	10
KCW080 Pumpe	14

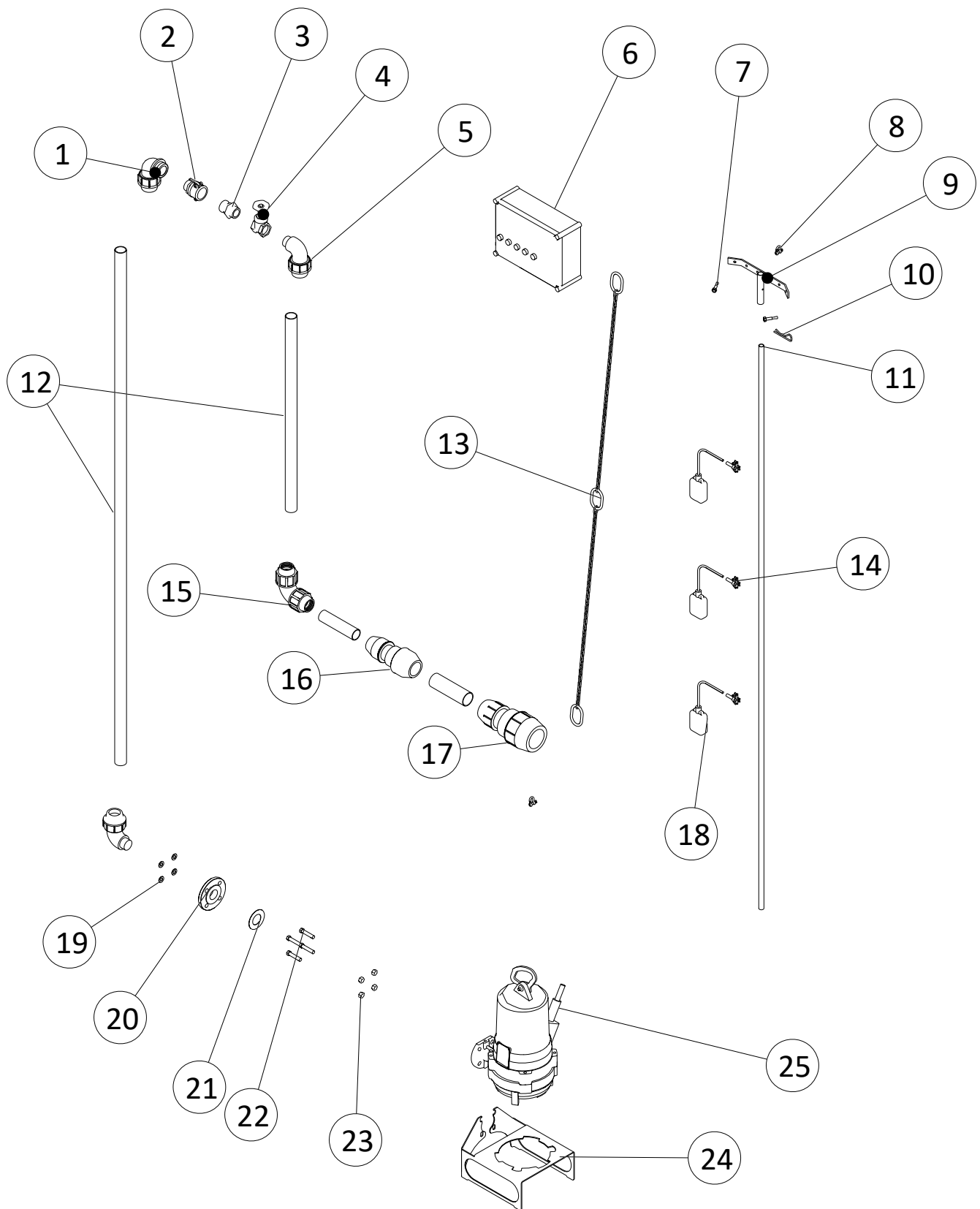


 1 ↓  2 ↓ A-Z	Udsprinklingsanlæg Årgang 2026 -	Dato: 01-2026 <hr/> 3
---	--	--------------------------

Indholdsfortegnelse - Alfabetisk:

KCT040 med guiderør	6
KCT040 med svane Hals	4
KCT040 Pumpe	10
KCW080 med guiderør	8
KCW080 Pumpe	14

KCT040 med svanehals

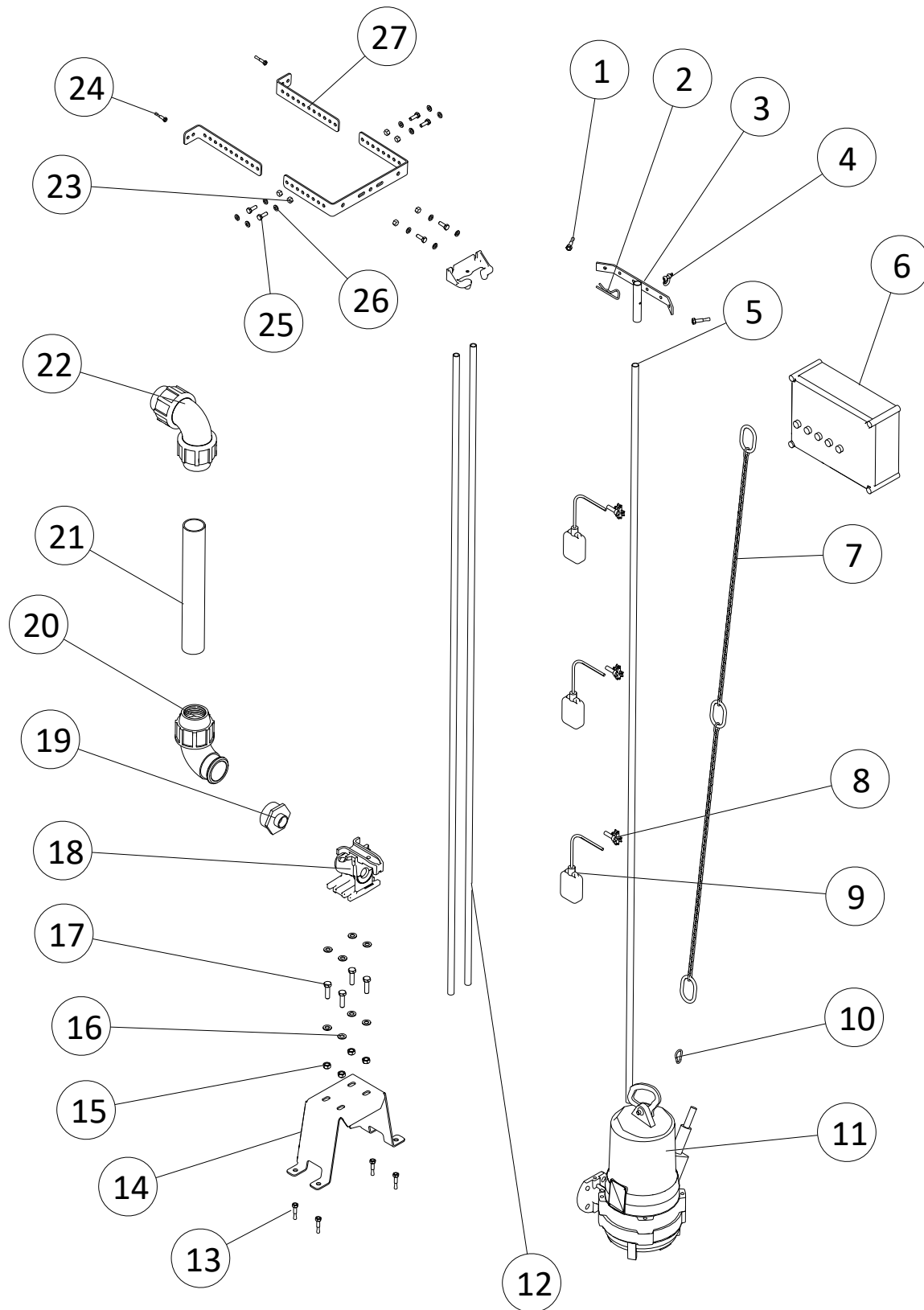


 1 ↓ 2 ↓	A-Z	Udsprinklingsanlæg Årgang 2026 -	Dato: 01-2026
			5

KCT040 med svanehals			
Pos. nr.	Vare nr.	Antal	Beskrivelse
1	10420850	1	PP-Angle 50mmx11/2" w/Socket
2	14190110	1	1 1/2" P.P.Connection-F w/Socket
3	14190410	1	1 1/2" P.P.Connection-M w/Socket
4	13070014	1	Shut-Off Valve
5	10420951	2	PP-Angle 50MMx11/2" w/Thread
6	229500103KP1	1	2,2>7,5kW Control Box 3x400V
7	132681060-1	2	Concrete Ancker Bolt, Stainless
8	181085110	2	5/16" D-SHACK 8mm STAINLESS
9	26901752	1	Bracket for Float Switch
10	26901770	1	R-Clip single Stainless Steel 5mm
11	13300005	1	1/2" Galvanised Welded Pipe 3m
12	103910050	1	PE Long Pipe 6m
13	181085245-4	1	Stainless Lifting Chain 4m
14	18101115	3	Clips for Level Indicator
15	10420250	1	PP-Angle 50mm
16	10420566	1	PP-Reduction 63x50 mm
17	10420590	1	PP-Reduction 90x63 mm
18	18101102	3	Float Switch, Double Contact w/10M Cable
19	132601114	4	DIN 125B M14 Washer
20	13250231	1	Galvanized Threaded Flange DS581
21	13250525	1	92 X 49MM Flange Gasket NW40
22	132614065	4	14x65mm Steel Bolt FZB, DIN 931
23	132602114	4	M14 Steel Nut DIN 934
24	090311-16	1	Console for KCT040 150mm
25	1810864108	1	Caprari KCT040HA+006522N3 6.5KW



KCT040 med guiderør

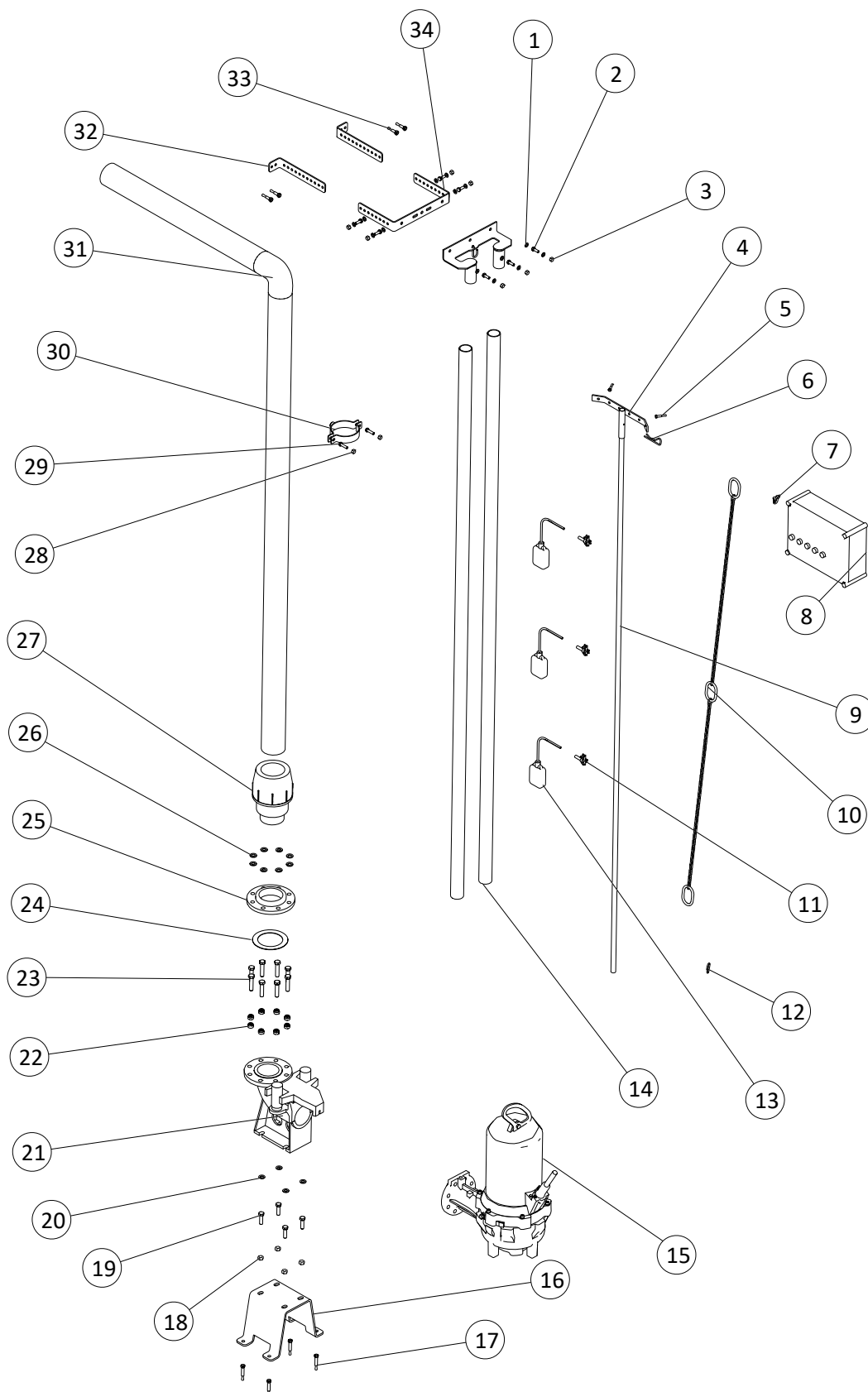


 1 ↓ 2 ↓	A-Z	Udsprinklingsanlæg Årgang 2026 -	Dato: 01-2026
			7

KCT040 med guiderør			
Pos. nr.	Vare nr.	Antal	Beskrivelse
1	132681060-1	2	Concrete Ancker Bolt, Stainless
2	26901770	1	R-Clip single Stainless Steel 5mm
3	26901752	1	Bracket for Float Switch
4	181085110	1	5/16" D-SHACK 8mm STAINLESS
5	13301015	1	Stainless Threaded Pipe
6	229500103KP1	1	2,2>7,5kW Control Box 3x400V
7	181085245-4	1	Stainless Lifting Chain 4m
8	18101115	3	Clips for Level Indicator
9	18101102	3	Float Switch, Double Contact w/10M Cable
10	12280098	1	Stainless steel carabiner 5x50mm
11	1810864108	1	Caprari KCT040HA+006522N3 6.5KW
12	13300410-4	2	4m Stainless Pipe w/ 1 Thread
13	132681060-1	4	Concrete Ancker Bolt, Stainless
14	090311-11	1	Console, Sprinkler System w/ Guide
15	132702014	4	14mm Nut Stainless A4
16	132701114	8	14 mm Washer Stainless DIN125
17	132714050	4	M14 Set Bolt A2
18	1810880380	1	Connection T/KCT F+H -BAK040 3/4"
19	31745179	1	3"x1 1/2" Stainless Nipple
20	10420910	1	PP-Angle Ø75x3" w/Internal Thread
21	103910075	1	PE Pipe
22	10420275	1	PP-Angle 75mm
23	132702110	6	10mm Steel Nut Stainless DIN934
24	132680850	2	M 8X 50MM Concrete Anchor, Stainless
25	132710030	6	M10x30 Steel Bolt, Stainless DIN931
26	132701110	1	10mm Washer, Stainless A4
27	26901760	2	Side Bracket for Top Guide



KCW080 med guiderør

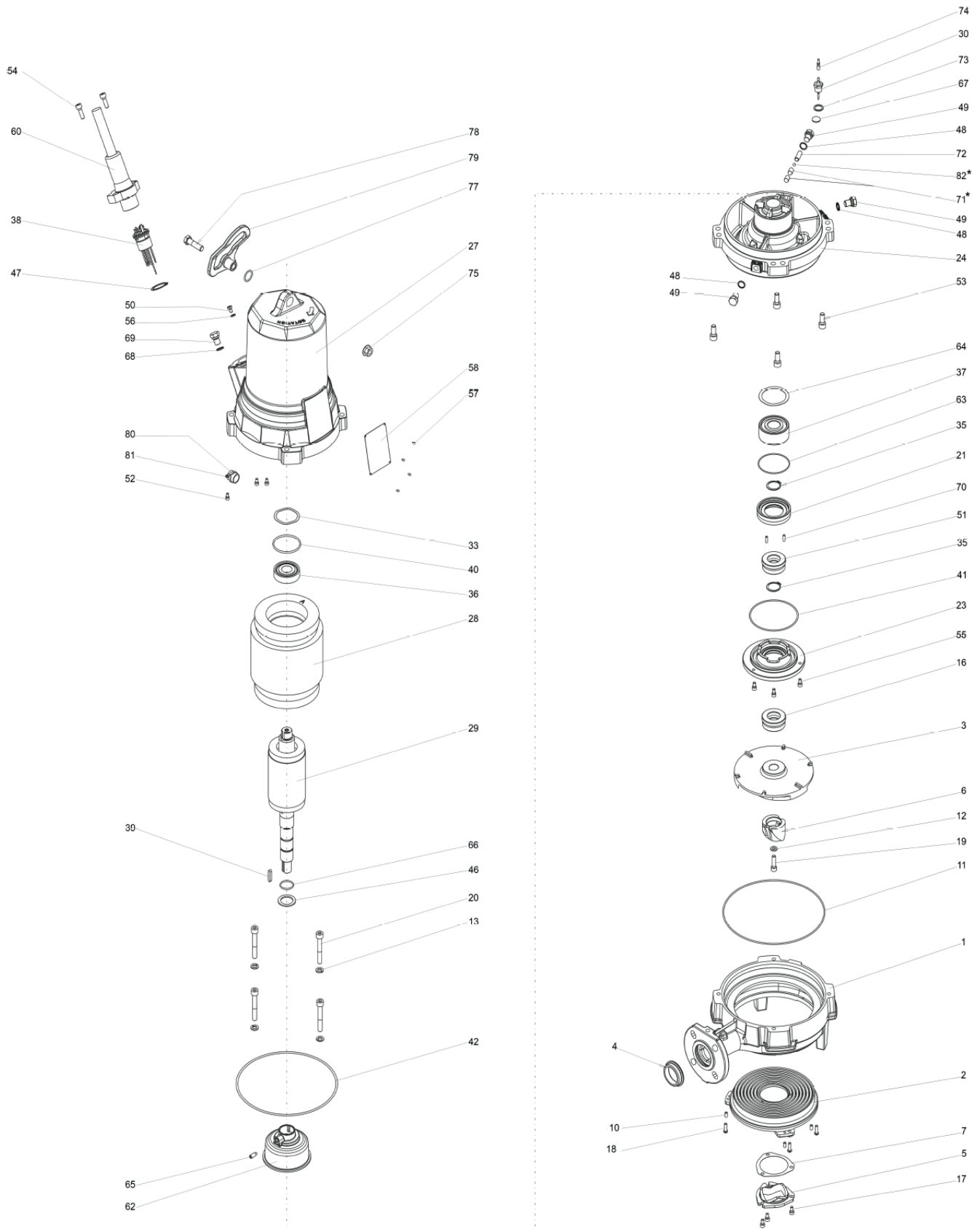


 1 ↓ 2 ↓	A-Z	Udsprinkingsanlæg Årgang 2026 -	Dato: 01-2026
			9

KCW080 med guiderør			
Pos. nr.	Vare nr.	Antal	Beskrivelse
1	132701110	1	10mm Washer, Stainless A4
2	132710030	8	M10x30 Steel Botl, Stainless DIN931
3	132702110	7	Stainless 10mm Steel Nut DIN934
4	26901752	1	Bracket for Float Switch
5	132680850	2	M 8X 50MM Concrete Ancker Bolt Stainless
6	26901770	1	R-Clip Single, Stainless Steel 5mm
7	181085110	1	5/16" D-SHACK 8mm STAINLESS
8	229500403KP5	1	16,5W STYRESKAB 3x400V
9	13301015	1	1/2" RUSTF.GEVINDRØR AISI 304
10	181085245-4	1	Stainless Lifting Chain 4m
11	18101115	3	Clips for Level Indicator
12	12280098	1	Rustfri karbinhage 5x50mm
13	18101102	3	Float Switch, Double Contact w/10M Cable
14	13301041	2	2" Threaded Pipe Stainless
15	1810863578	1	Caprari KCW080LL+016522N3 16.5KW
16	13502650	1	Console, Guide Foot
17	1326812080-01	4	Concrete Ancker Bolt, Stainless
18	132702114	4	Stainless 14mm Nut DIN934
19	132714050	4	M14 Set Bolt A2
20	132701114	4	14mm Washer Stainless DIN125
21	181062208	1	Caprari Foot BAKG/F 2" NW100
22	132702116	8	Lock Nut DIN985 I8I NV24 FZB M16
23	132716070	8	16x70MM STÅLBOLT A2
24	13250545	1	Flangepakning NW100
25	13250240	1	4" galv. gevind flange
26	132701116	8	16mm Washer, Stainless DIN125
27	10420712	1	PP-Reduction 90x63 mm
28	132702110-1	2	Rustfri 10mm stålmøtrik A4
29	132710040	2	Steel Bolt Stainless D931
30	10380501-02	1	Rørbøjle 110, 1/2 - rustfri
31	10510694	1	PE Angle 1x3m 110 PN10
32	26901760	2	Sidevange for Top Guider
33	132681060-1	4	Concrete Ancker Bolt, Stainless
34	26901761	1	Beslag til Caprari Guider



KCT040 pumpe



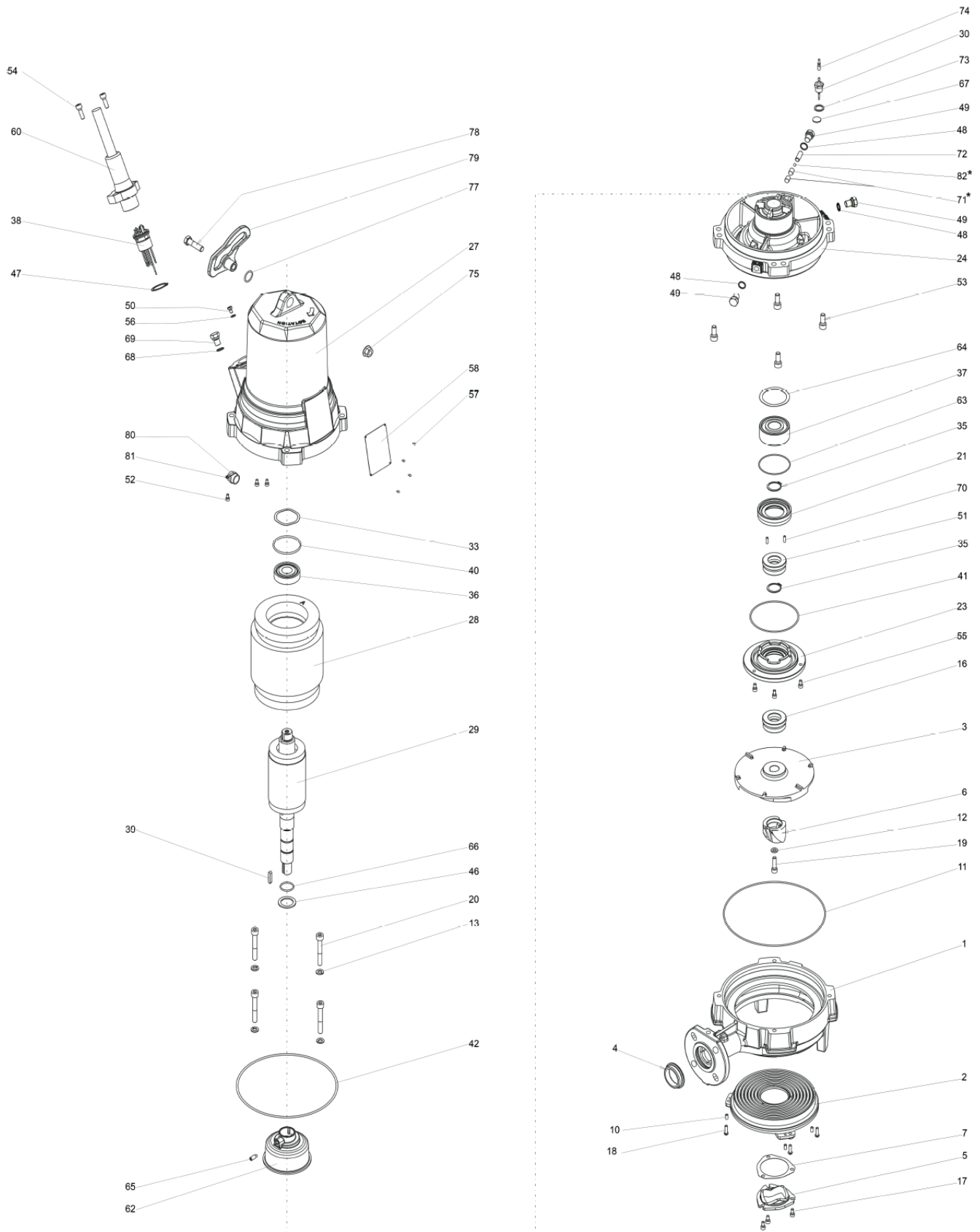
 1 ↓  2 ↓	A-Z	Udsprinkingsanlæg Årgang 2026 -	Dato: 01-2026
			11

KCT040 pumpe

Pos.	Code	Serial N°	Description	Qty
	6602310	KT040H3A	EFFLUENT WET END	1 PZ
	8112834	BOX KT040HNA-1	DELIVERY CASING	1 PZ
1-A	400121	KT040HNA-1	DELIVERY CASING	1 PZ
	8112853	BOX KT040H-3	SUCTION COVER	1 PZ
2-A	400435	KT040H-3	SUCTION COVER	1 PZ
3	470185	KT040HNA-5	IMPELLER D.209	1 PZ
20	401263	KT040HNA/J-5	IMPELLER D.209	1 PZ
4	330624	KT040F-146	GASKET FOR FLANGE	1 PZ
5	470970	KT040-274	FIXED CUTTING	1 PZ
10	470494	KT040/J-274	FIXED CUTTING	1 PZ
6	470980	KT040-275	ROTATING CUTTER	1 PZ
10	470496	KT040/C-275	ROTATING CUTTER	1 PZ
7	330685	KT040-146	GASKET FOR FLANGE	2 PZ
10	300773	GC02292	DOWEL M6X12 UNI5923/DIN913-A2	3 PZ
11	330380	OR01914	OR SEAL 228,19X3,53 OR4900 (AP)	1 PZ
12	310307	RLS02287	WASHER 8,5X16X2,5 (TO DRAW)	1 PZ
13	300892	RE01913	SPRING WASHER A 10 UNI1751-A2	4 PZ
16	330171	TFR02218	MECHANICAL SEAL BT-AR30-Q1Q1PFF	1 PZ
17	300216	VTT02291	SCREW M6X12 UNI5931/DIN912 A2-70	3 PZ
18	300207	VTT02582	SCREW M6X20 ISO 7380 A4-70	3 PZ
19	300064	VTT02296	SCREW M8X30 UNI5931/DIN912 A4-80	1 PZ
20	300240	VTT01923	SCREW M10X70 UNI5931/DIN912-A2	4 PZ
	5740020	KC006522H132N3/L	ELECTRIC SUBMERSIBLE MOTOR	1 PZ
21	401749	KH/3-4	BEARING HOUSING	1 PZ
21-CLAV	L776-401749			1 PZ
	8112894	BOX KH/3-124	CARRIER FOR MECHANICAL SEAL	1 PZ
23-A	541029	KH/3-124	CARRIER FOR MECHANICAL SEAL	1 PZ
	8112891	BOX K235H/3-22	OIL CHAMBER	1 PZ
24-A	471072	K235H/3-22	OIL CHAMBER	1 PZ
27	471117	K235H200/3-260	MOTOR CASING	1 PZ
	8045610	BOX K006522/200/3-262	STATOR	1 PZ
28-A	471155	K006522/200/3-262	STATOR	1 PZ
29	471094	K00652H/200/3-265	SHAFT WITH ROTOR	1 PZ
29-A	520868	KH200/3-7	PUMP SHAFT	1 PZ
29-B	471125	K00652/200/3-266	ROTOR	1 PZ
30	471077	K/3X-270	PROBE	1 PZ
30-A	310830	RAC0038270	NIPPLE G3/8-G1/4 (TO DRAW)	1 PZ
30-B	471076	K/3-270	PROBE	1 PZ
33	310517	AE02411	CIRCLIP ART.012 72B	1 PZ
35	310556	AE0368	CIRCLIP 30 UNI7435 FOR SHAFT	2 PZ
36	350012	CSN01946	BEARING 6306-ZJ/C3(METAL CAGE)	1 PZ
37	350112	CSN01134	BEARING 3306/C3	1 PZ
39	310427	LCH0732	FEATHER KEY A6X6X30 (TOL.UNI6604)-C50	1 PZ
40	330383	OR01929	OR SEAL 71,44X3,53 OR174 (AP)	1 PZ
41	330553	OR0038284	OR SEAL OR 107,62X2,62 OR3425 (AP)	1 PZ
42	330380	OR01914	OR SEAL 228,19X3,53 OR4900 (AP)	1 PZ
46	310271	RLS01909	WASHER 30X42X2,5 DIN988 SEEGER TYPE SS	1 PZ



KCT040 pumpe



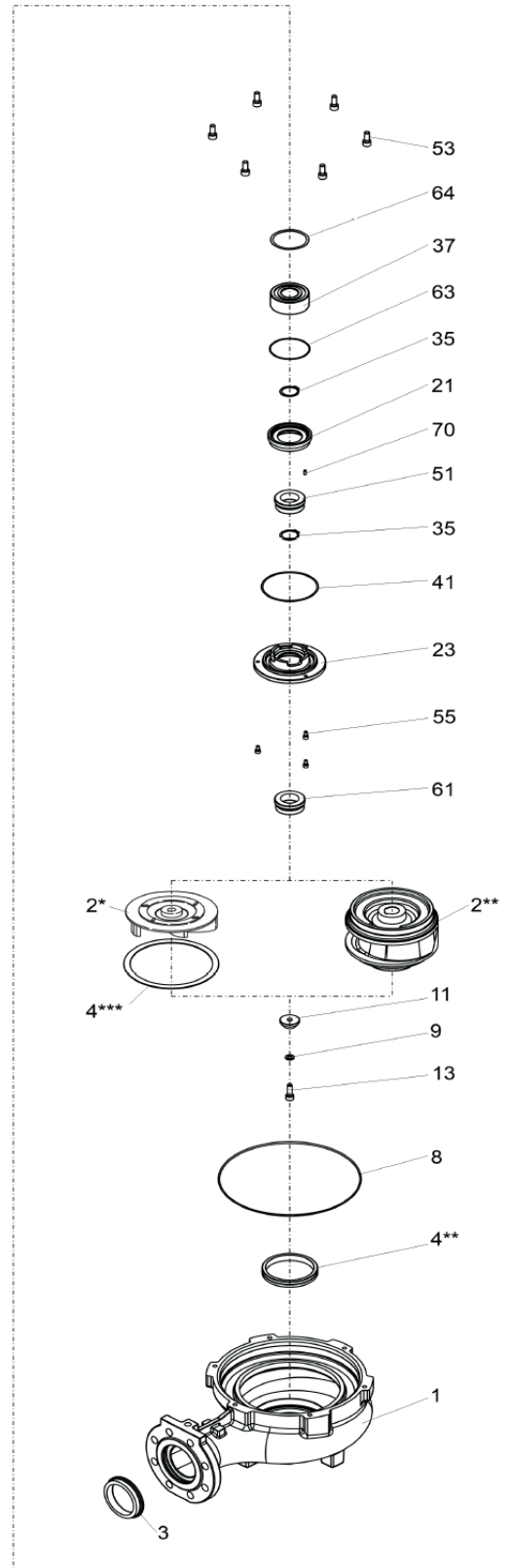
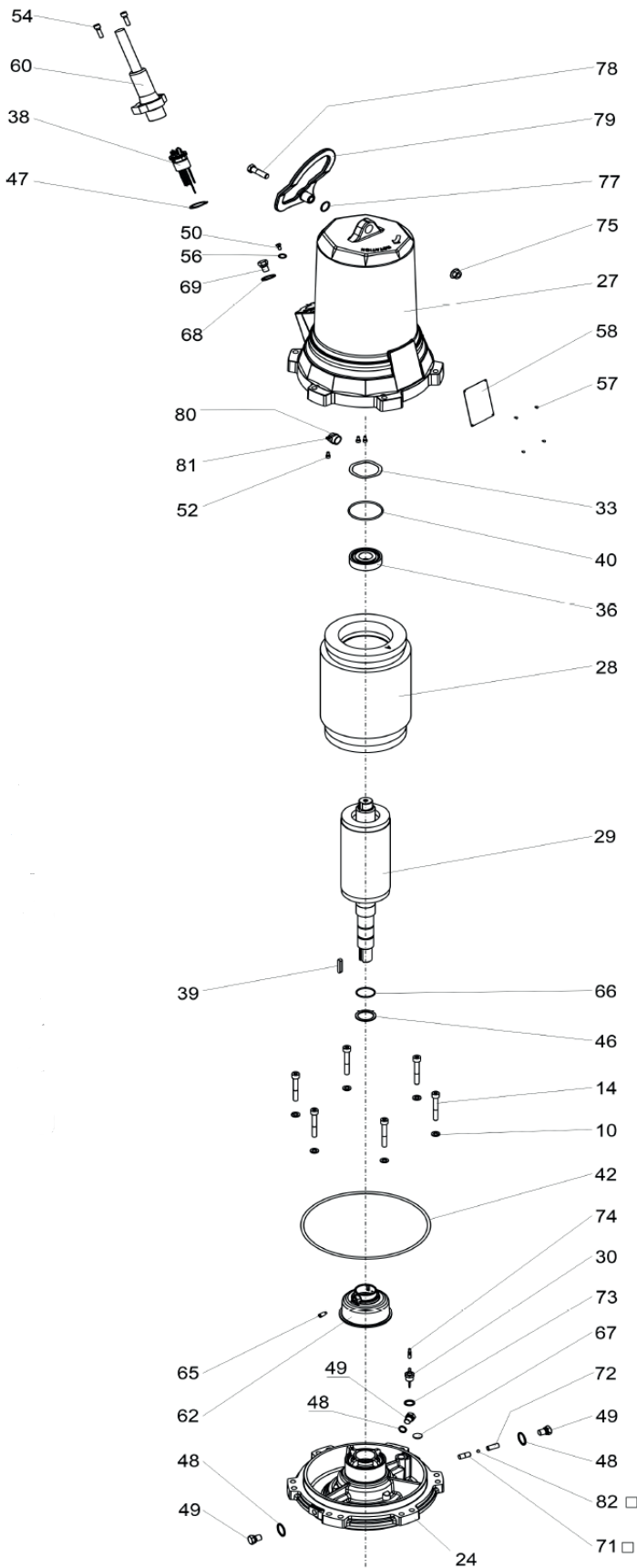
 1 ↓ 2 ↓	A-Z	Udsprinkingsanlæg	Dato: 01-2026
		Årgang 2026 -	13

KCT040 pumpe

48	310270	RLS01907	WASHER 14X18X1,5 DIN7603	6 PZ
49	310652	TF0038266	PLUG 1/4"GAS (TO DRAW)	3 PZ
50	M3VIT005	3VIT005-VIT	GROUNDING SCREW	1 PZ
0	M4VIT006	VTE0041237	SCREW M6X10 UNI5739/DIN933 A4-70	1 PZ
51	330190	TFR01917	MECHANICAL SEAL BT-AR30-BXPFF	1 PZ
52	300193	VTT0038292	SCREW M5X10 UNI5931/DIN912-4.8	3 PZ
53	300239	VTT0038291	SCREW M10X25 UNI5931/DIN912-A2	4 PZ
55	300216	VTT02291	SCREW M6X12 UNI5931/DIN912 A2-70	3 PZ
56	300891	RE01912	SPRING WASHER A 6 UNI1751-A2	1 PZ
62	541027	KH/3-118	OIL PUMP	1 PZ
63	330424	OR01798	OR SEAL 67,95X2,62 OR3268 (AP)	1 PZ
64	310517	AE02411	CIRCLIP ART.012 72B	1 PZ
65	300806	GC0038289	DOWEL M8X20 UNI5925/DIN915-A2	1 PZ
66	330557	OR0038431	OR SEAL OR 28,25X2,62 OR3112 (AP)	1 PZ
67	342000	MAG0038295	MAGNET N35 D.20X2	1 PZ
68	310270	RLS01907	WASHER 14X18X1,5 DIN7603	2 PZ
69	310652	TF0038266	PLUG 1/4"GAS (TO DRAW)	1 PZ
70	300807	GC0038290	DOWEL M5X16 UNI5923/DIN913-A2	2 PZ
72	341000	POL0038268	MEMBRANE (TO DRAW)	1 PZ
73	310330	RLS02211	WASHER 17,2X23X1,5	1 PZ
74	350501	CT02013	TAIL CONNECTOR BM00370 (BM)	1 PZ
75	310220	DN0037496	EXAGONAL FLANGED NUT M12 WITH SERRATION UNI EN20898/2/DIN6923-A2	1 PZ
77	330556	OR0038287	OR SEAL OR 21,89X2,62 OR3087 (AP)	1 PZ
78	300057	VTE02559	SCREW M12X45 UNI5737/DIN931-A2	1 PZ
79	471074	K273/3-269	LIFTING EYE	1 PZ
80	350521	301S2208	INSULATING SHEATH VES25 20X120 (COVEME)	1 PZ
81	310608	FS0038425	CLAMP (TO DRAW)	1 PZ
	8112892	BOX DTE 24/OIL WHITE		1 PZ
998	996721	INSTRUCTIONS FOR K+ PLUG	ASSEMBLY	1 NR
	8046118	BOX TARGHETTE K	BOX NAME PLATES K	1 PZ
	8112895	BOX CAVO (080H) 12X2,5/1		1 PZ
38	350439	CT0034007	COMPLETE MALE 10PIN (TO DRAW)	1 PZ
47	310554	AE0350	CIRCLIP 35 UNI7435 FOR SHAFT	1 PZ
54	300227	VTT02062	SCREW M8X25 UNI5931/DIN912-A2	2 PZ
60	471028	CTA12X2,5/1-L10-255	COMPLETE FEMALE PIN 10X	1 PZ



KCW080 pumpe



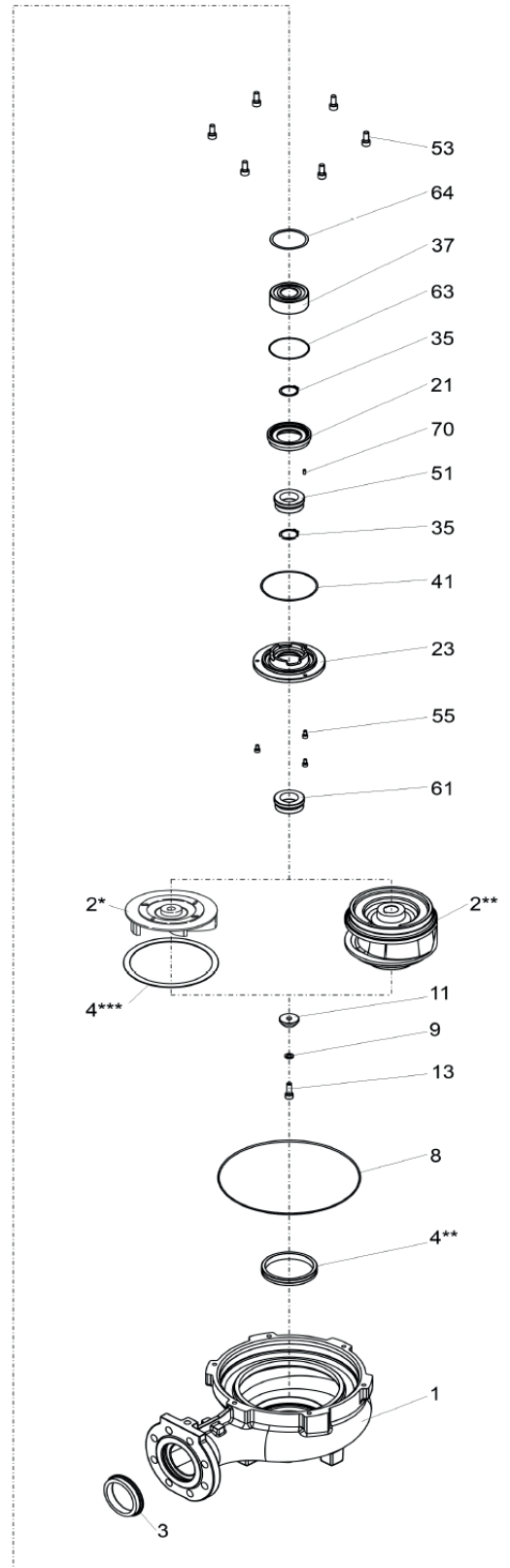
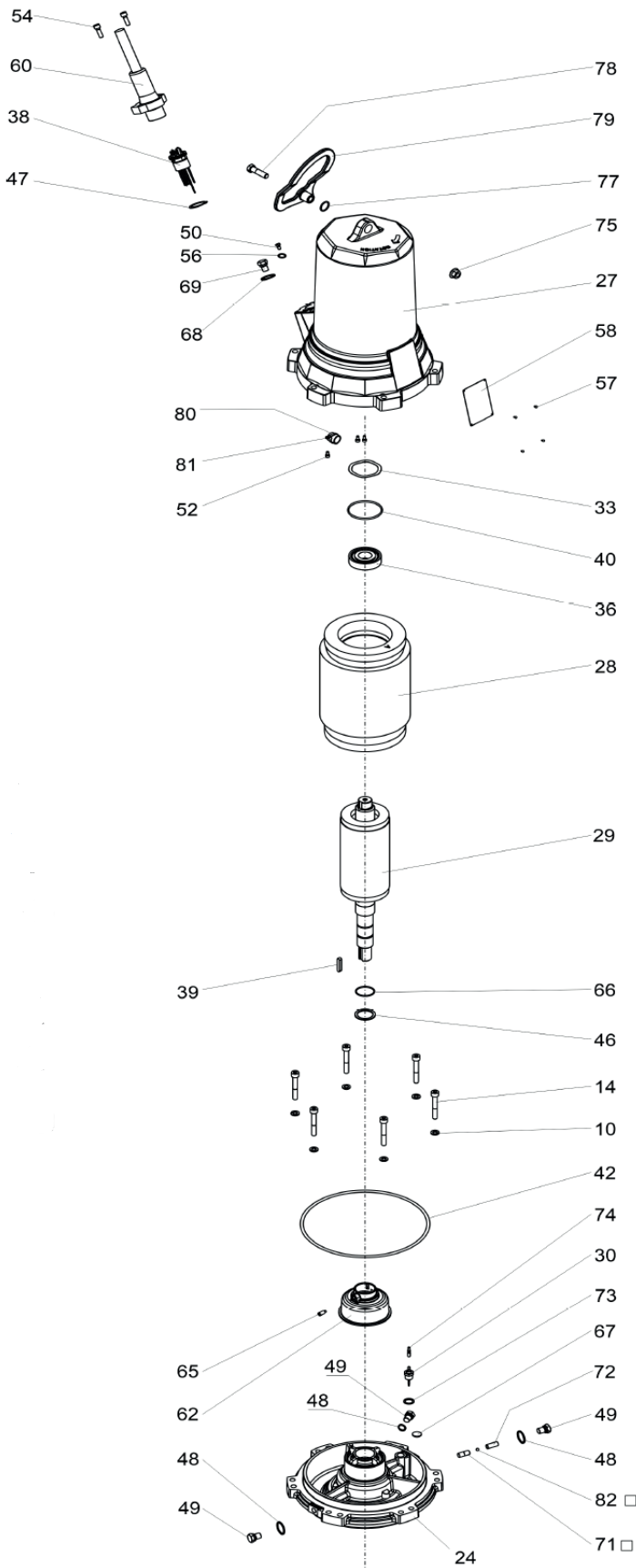
 1 ↓ 2 ↓	A-Z	Udsprinklingsanlæg Årgang 2026 -	Dato: 01-2026
			15

KCW080 pumpe

Pos.	Code	Serial N°	Description	Qty
	6601900	KW080L3L	EFFLUENT WET END	1 PZ
	8112839	BOX KW080L/1-1	DELIVERY CASING	1 PZ
1-A	500278	KW080L/1-1	DELIVERY CASING	1 PZ
2	470585	KW080LNL-5	IMPELLER D.205	1 PZ
10	470582	KW080LNA-5	IMPELLER D.239	1 PZ
3	330617	KMF-146	GASKET FOR FLANGE	1 PZ
4	330629	KW080L-141	GASKET FOR SUCTION COVER	1 PZ
8	330386	OR01932	OR SEAL 278,99X3,53 OR41100(AP)	1 PZ
9	300892	RE01913	SPRING WASHER A 10 UNI1751-A2	1 PZ
10	300892	RE01913	SPRING WASHER A 10 UNI1751-A2	6 PZ
11	310340	RLS02581	WASHER (TO DRAW)	1 PZ
13	300241	VTT01936	SCREW M10X30 UNI5931/DIN912 A4-80	1 PZ
14	300240	VTT01923	SCREW M10X70 UNI5931/DIN912-A2	6 PZ
	5726880	KC016522L160N3	ELECTRIC SUBMURGIBLE MOTOR	1 PZ
21	401748	KL/3-4	BEARING HOUSING	1 PZ
	8045630	BOX KL/3-124	CARRIER FOR MECHANICAL SEAL	1 PZ
23-A	541028	KL/3-124	CARRIER FOR MECHANICAL SEAL	1 PZ
	8112901	BOX K273L/3-22	OIL CHAMBER	1 PZ
24-A	471070	K273L/3-22	OIL CHAMBER	1 PZ
27	471068	K273L240/3-260	MOTOR CASING	1 PZ
28	471160	K016522/240/3-262	STATOR	1 PZ
29	471100	K01652L/240/3-265	SHAFT WITH ROTOR	1 PZ
29-A	520863	KL240/3-7	PUMP SHAFT	1 PZ
29-B	471130	K01652/240/3-266	ROTOR	1 PZ
30	471077	K/3X-270	PROBE	1 PZ
30-A	310830	RAC0038270	NIPPLE G3/8-G1/4 (TO DRAW)	1 PZ
30-B	471076	K/3-270	PROBE	1 PZ
33	310517	AE02411	CIRCLIP ART.012 72B	1 PZ
35	310554	AE0350	CIRCLIP 35 UNI7435 FOR SHAFT	2 PZ
36	350012	CSN01946	BEARING 6306-ZJ/C3(METAL CAGE)	1 PZ
37	350113	CSN0943	BEARING 3307/C3	1 PZ
39	310435	LCH0933	FEATHER KEY A8X7X40 UNI6604-C50	1 PZ
40	330383	OR01929	OR SEAL 71,44X3,53 OR174 (AP)	1 PZ
41	330553	OR0038284	OR SEAL OR 107,62X2,62 OR3425 (AP)	1 PZ
42	330385	OR01931	OR SEAL 266,07X5,34	1 PZ
46	310349	RLS01788	WASHER 35X45X2,5 DIN988 SEEGER TYPE SS	1 PZ
48	310270	RLS01907	WASHER 14X18X1,5 DIN7603	6 PZ
49	310652	TF0038266	PLUG 1/4"GAS (TO DRAW)	3 PZ
50	M3VIT005	3VIT005-VIT	GROUNDING SCREW	1 PZ
0	M4VIT006	VTE0041237	SCREW M6X10 UNI5739/DIN933 A4-70	1 PZ
51	330193	TFR01934	MECHANICAL SEAL BT-AR35-BXPFF	1 PZ
52	300193	VTT0038292	SCREW M5X10 UNI5931/DIN912-4.8	3 PZ
53	300239	VTT0038291	SCREW M10X25 UNI5931/DIN912-A2	6 PZ
55	300216	VTT02291	SCREW M6X12 UNI5931/DIN912 A2-70	3 PZ
56	300891	RE01912	SPRING WASHER A 6 UNI1751-A2	1 PZ
61	330200	TFR02124	MECHANICAL SEAL BT-AR35-Q1V/PFF	1 PZ
62	541026	KL/3-118	OIL PUMP	1 PZ



KCW080 pumpe



 1 ↓ 2 ↓	A-Z	Udsprinkingsanlæg Årgang 2026 -	Dato: 01-2026
			17

KCW080 pumpe

63	330554	OR0038285	OR SEAL OR 75,87X2,62 OR3300 (AP)	1 PZ
64	310567	AE0038288	CIRCLIP LMKAS 80F	1 PZ
65	300806	GC0038289	DOWEL M8X20 UNI5925/DIN915-A2	1 PZ
66	330555	OR0038286	OR SEAL OR 36,14X2,62 OR3143 (AP)	1 PZ
67	342000	MAG0038295	MAGNET N35 D.20X2	1 PZ
68	310270	RLS01907	WASHER 14X18X1,5 DIN7603	2 PZ
69	310652	TF0038266	PLUG 1/4"GAS (TO DRAW)	1 PZ
70	300807	GC0038290	DOWEL M5X16 UNI5923/DIN913-A2	2 PZ
72	341000	POL0038268	MEMBRANE (TO DRAW)	1 PZ
73	310330	RLS02211	WASHER 17,2X23X1,5	1 PZ
74	350501	CT02013	TAIL CONNECTOR BM00370 (BM)	1 PZ
75	310220	DN0037496	EXAGONAL FLANGED NUT M12 WITH SERRATION UNI EN20898/2/DIN6923-A2	1 PZ
77	330556	OR0038287	OR SEAL OR 21,89X2,62 OR3087 (AP)	1 PZ
78	300057	VTE02559	SCREW M12X45 UNI5737/DIN931-A2	1 PZ
79	471074	K273/3-269	LIFTING EYE	1 PZ
80	350521	301S2208	INSULATING SHEATH VES25 20X120 (COVEME)	1 PZ
81	310608	FS0038425	CLAMP (TO DRAW)	1 PZ
	8112892	BOX DTE 24/OIL WHITE		1 PZ
998	996721	INSTRUCTIONS FOR K+ PLUG	ASSEMBLY	1 NR
	8046118	BOX TARGHETTE K	BOX NAME PLATES K	1 PZ
	8112895	BOX CAVO (080H) 12X2,5/1		1 PZ
38	350439	CT0034007	COMPLETE MALE 10PIN (TO DRAW)	1 PZ
47	310554	AE0350	CIRCLIP 35 UNI7435 FOR SHAFT	1 PZ
54	300227	VTT02062	SCREW M8X25 UNI5931/DIN912-A2	2 PZ
60	471028	CTA12X2,5/1-L10-255	COMPLETE FEMALE PIN 10X	1 PZ

