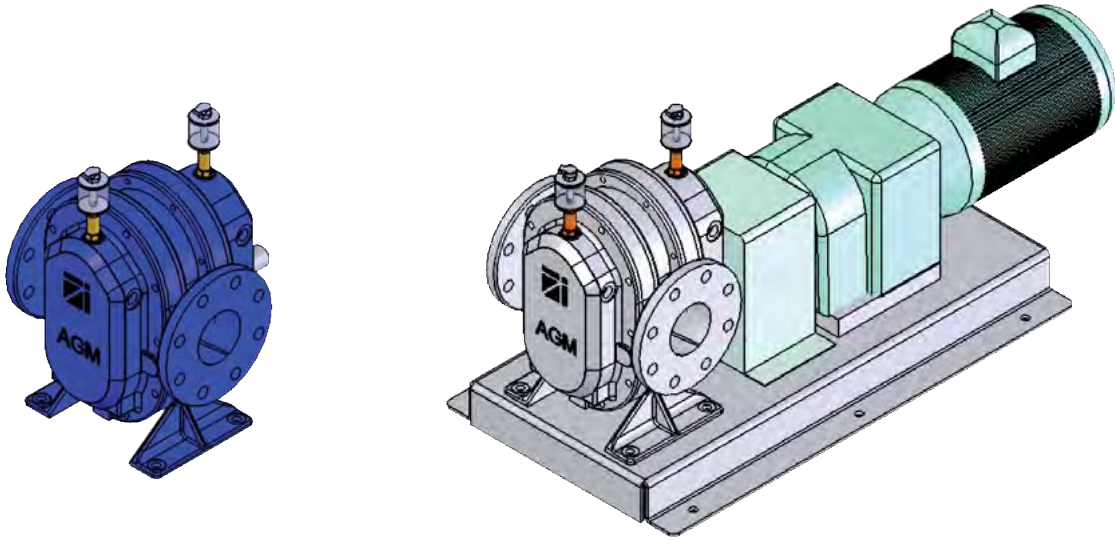
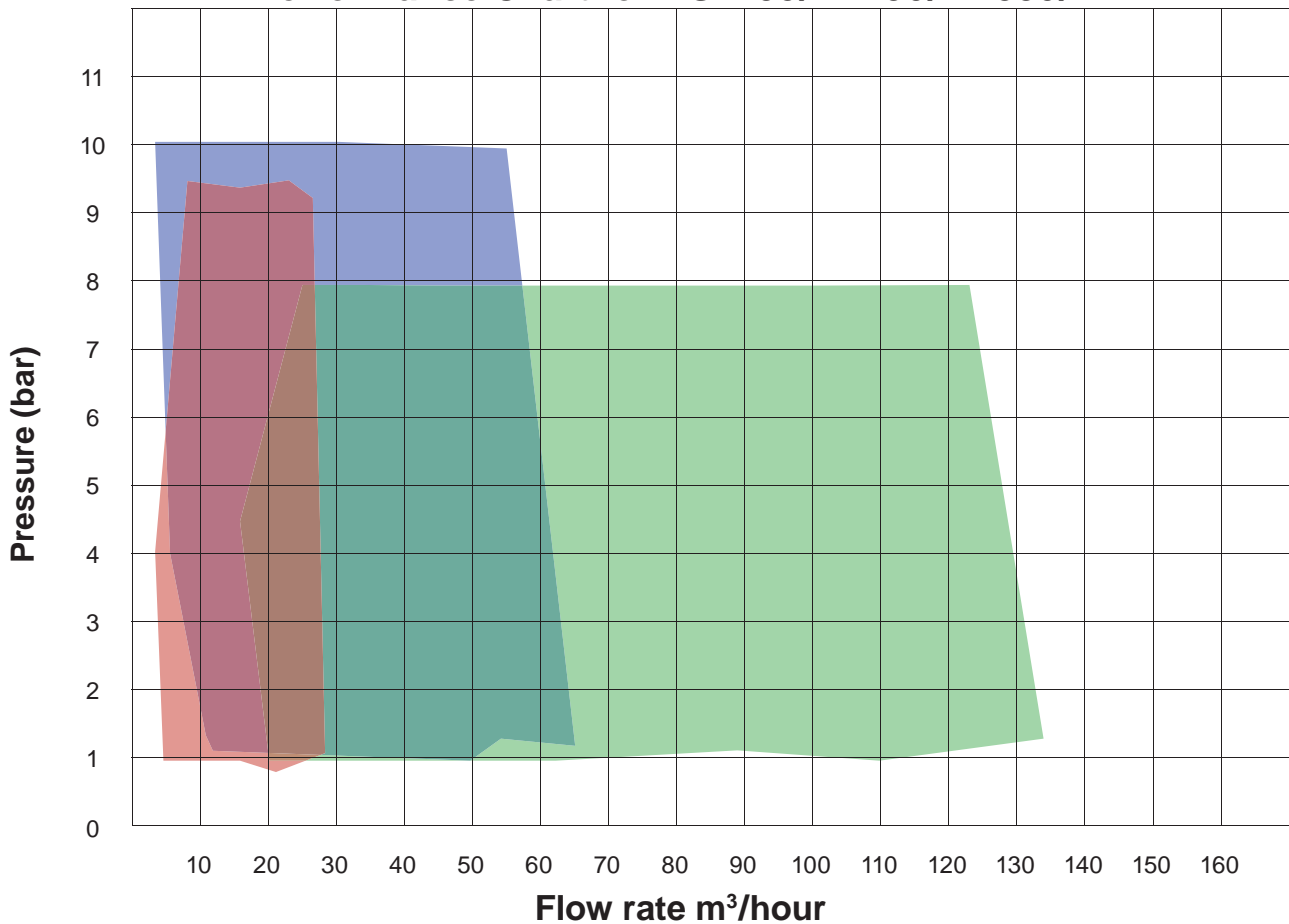


Price List for AGM Lobe Rotor Pumps



Performance Chart for AGM 95/1 - 190/2 - 380/4

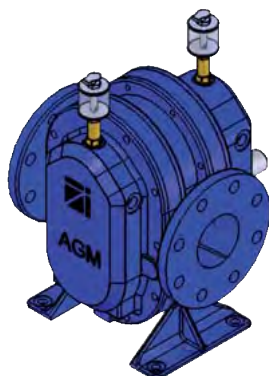


- AGM 95/1
- AGM 190/2
- AGM 380/4

The performance chart applies to water, and must be considered as basic guidance only.

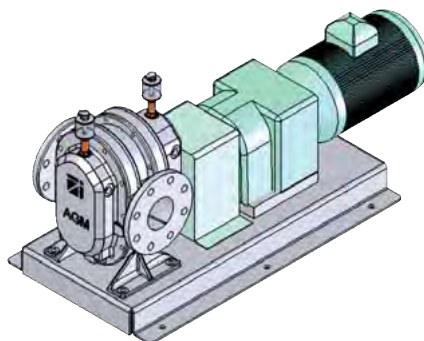


Pumps



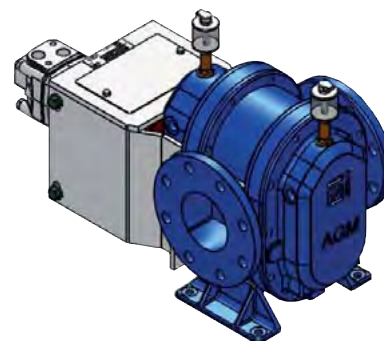
Bare shaft

Pump with NBR lobes and hardened steel wear parts



Pump unit complete

Pump mounted on standard frame with gear and electric motor



Hydraulic operation

Pump with hydraulic operation

Options



Stainless steel wear parts

Wear linings, wear plates, clamps and bolts for clamps/wearplates made of AISI 316 stainless steel.



Viton lobes

Lobes made of heat resistant viton (max. 120° Celcius)



Easy-Flow lobes

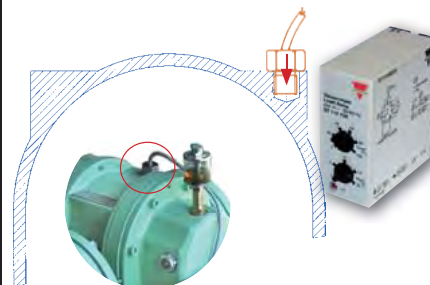
Lobes designed for higher flow rates and pulsation free operation.



Relief valve system



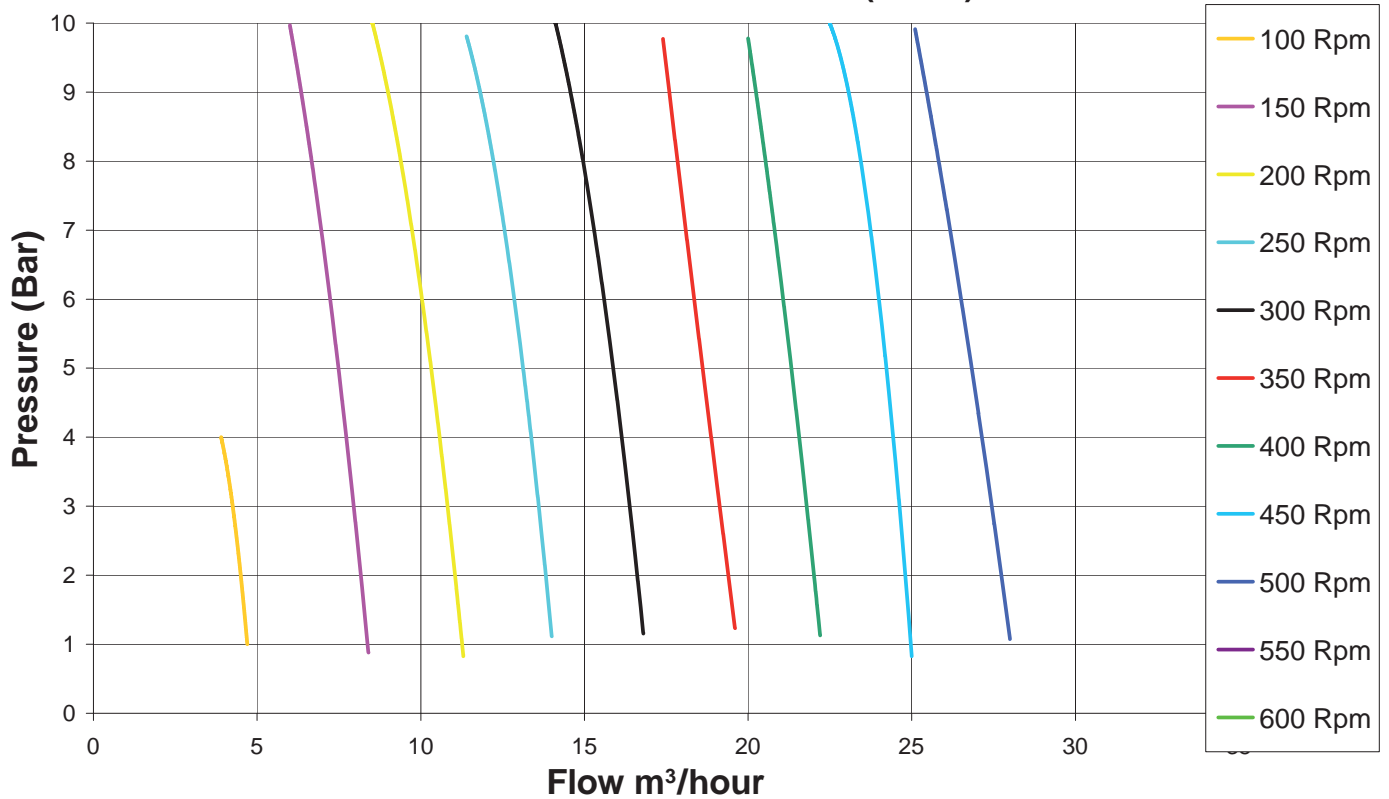
Safety valve with flanges



Heat sensor



Performance Curve for AGM 95/1 (water)



Pressure (bar)	Power Consumption Table (kW) for AGM 95/1											
	100	150	200	250	300	350	400	450	500	550	600	
10				7	8	9	10	11	12	13		
9				6.8	7.2	8	9.5	10.5	11	12.5		
8				6	6.3	7.5	9	10	10	11.5		
7		4.9		5	6	7	8	9	9	11		
6		4.5	4.5	4.5	5.2	6	7	7.5	8	10		
5		4	4	4	4.8	5	6	6	7.5	9		
4	2.8	3	3.5	3.5	4	4.5	5.4	5.5	7	8		
3	2.2	2.5	3	3	3.5	4	4.3	4.5	6	7		
2	1.5	2	2.2	2.2	3	3.5	4	3.5	4.5	5		
1	1	1.5	2	2	2.5	2.8	3	3.2	3.5	4		
0	Pump Operation RPM											

AGM 95/1	Order No.	Unit Price List EUR excl. VAT			
		Standard edition	Stainless steel wear parts	Viton lobes	SS wear parts + viton lobes
Bare shaft pump	23260055	3,100.-			
1.5 kW	2625095015	5,100.-			
2.2 kW	2625095022	5,170.-			
3 kW	2625095030	5,640.-			
4 kW	2625095040	6,050.-			
5.5 kW	2625095055	6,440.-			
7.5 kW	2625095075	7,160.-			
11 kW	2625095110	7,450.-			
Hydraulic	26200389-3	4,760.-			
	Order No.	Description			All models
Options		Easy Flow Lobes (standard and stainless steel models only)			On request
	26290095	Relief valve system			2,420.-
	26200203-8	Safety valve with flanges			850.-
	23260811	Dry running protection			280.-

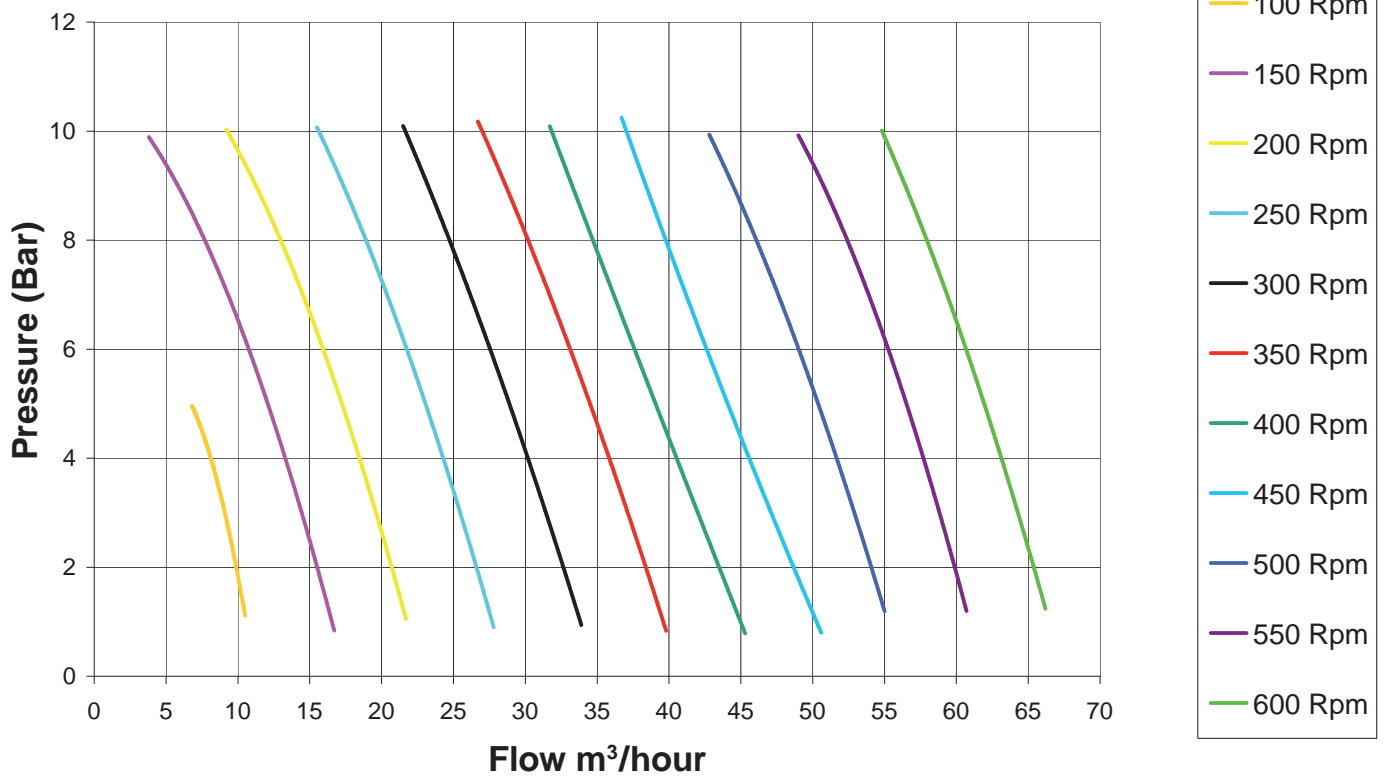


Unit Price List for AGM Lobe Rotor Pumps • Valid from 01.02.2012 • Excl. VAT • Subject to change without notice

Agrometer a/s

Fælledvej 10 • DK-7200 Grindsted • Tel. +45 76 72 13 00 • Fax +45 76 72 13 97
www.agrometer.dk • agrometer@agrometer.dk

Performance Curve for AGM 190/2 (water)



Pressure (bar)	Power Consumption Table (kW) for AGM 190/2										
	100	150	200	250	300	350	400	450	500	550	600
10		8	10	12	15	16	17.5	18	20	22	25
9		7.5	9	12	14	15	17	17	18	21	23
8		7	8	11	13	14	16	16	17	20	21
7		6	7.5	10	11	12	15	15	16	19	20
6		5.5	7	9	10	11	14	14	15	18	18
5	4	5	6	7.5	9	10	11.5	12	14	15	17
4	3.5	4.5	5	6	8	9	10	11	12	12	14
3	3	4	4	5	7	8	8	9	10	11	13
2	2.2	3	3.8	4	6	6	7	7	9	9	8.5
1	1.8	2	2.5	3	3.5	4	4.5	5	5.5	6	7.5
0	Pump Operation RPM										

AGM 190/2	Order No.	Unit Price List EUR excl. VAT			
		Standard edition	Stainless steel wear parts	Viton lobes	SS wear parts + viton lobes
Bare shaft pump	23260060	3,300.-	470.-	1,620.-	2,090.-
3 kW	2625190030	6,030.-			
4 kW	2625190040	6,320.-			
5.5 kW	2625190055	6,830.-			
7.5 kW	2625190075	7,730.-			
11 kW	2625190110	8,740.-			
15 kW	2625190150	9,410.-			
18.5 kW	2625190185	10,080.-			
Hydraulic	26200389-1	5,720.-			
	Order No.	Description			All models
Options		Easy Flow Lobes (standard and stainless steel models only)			On request
	26290190	Relief valve system			2,690.-
	26200167-7	Safety valve with flanges			1,050.-
	23260811	Dry running protection			280.-

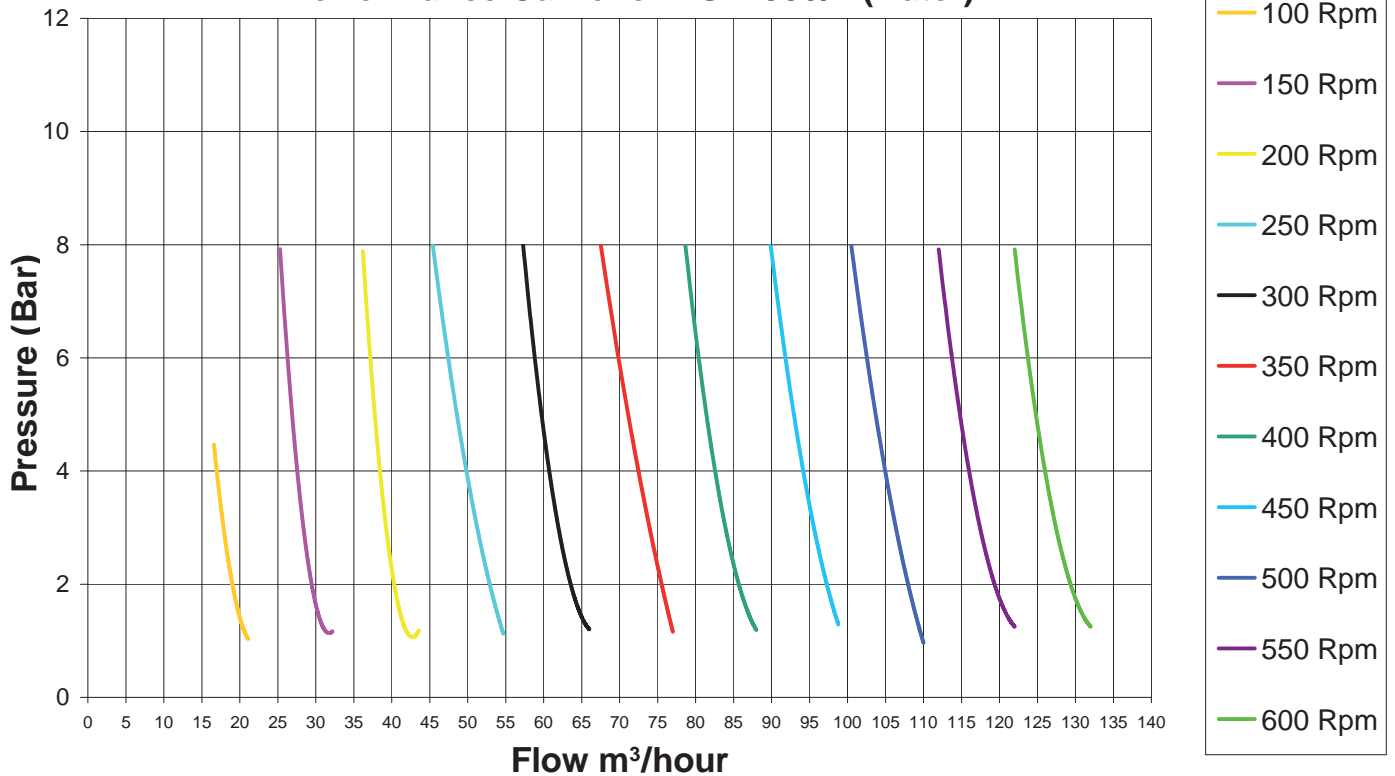


Unit Price List for AGM Lobe Rotor Pumps • Valid from 01.02.2012 • Excl. VAT • Subject to change without notice

Agrometer a/s

Fælledvej 10 • DK-7200 Grindsted • Tel. +45 76 72 13 00 • Fax +45 76 72 13 97
www.agrometer.dk • agrometer@agrometer.dk

Performance Curve for AGM 380/4 (water)



Pressure (bar)	Power Consumption Table (kW) for AGM 380/4											
	100	150	200	250	300	350	400	450	500	550	600	
10												
9												
8			10	15	17	20.3	24	27	32			
7			9	12	15	18	21	25	28.5	35		
6			8	10.5	13	16	18.5	21.5	25	29	35	35
5			7	9.5	11	14	16.5	19	21	24	27	30
4	4.5	6	8	9.5	12.4	13.5	16	19	21	23	26	26
3	4	5	6.5	8	10	11	14	15	17.5	19	22	22
2	3	4	5	6.5	7.5	9	10	11	14	15	17	17
1	2.2	3	3.5	4	5	5.5	5.5	6	9	10	13	13
0												
	100	150	200	250	300	350	400	450	500	550	600	

AGM 380/4	Order No.	Unit Price List EUR excl. VAT			
		Standard edition	Stainless steel wear parts	Viton lobes	SS wear parts + viton lobes
Bare shaft pump	23260065	3,930.-	540.-	2,960.-	3,500.-
4 kW	2625380040	6,640.-			
5.5 kW	2625380055	7,420.-			
7.5 kW	2625380075	8,040.-			
11 kW	2625380110	8,740.-			
15 kW	2625380150	9,410.-			
18.5 kW	2625380185	10,080.-			
22 kW	2625380220	10,760.-			
Hydraulic	26200389	6,460.-			
	Order No.	Description			All models
Options		Easy Flow Lobes (standard and stainless steel models only)			On request
	26290380	Relief valve system			3,230.-
	26200236-10	Safety valve with flanges			1,280.-
	23260811	Dry running protection			280.-



Unit Price List for AGM Lobe Rotor Pumps • Valid from 01.02.2012 • Excl. VAT • Subject to change without notice

Agrometer a/s

Fælledvej 10 • DK-7200 Grindsted • Tel. +45 76 72 13 00 • Fax +45 76 72 13 97
www.agrometer.dk • agrometer@agrometer.dk